

VITO VM battery Spec sheet



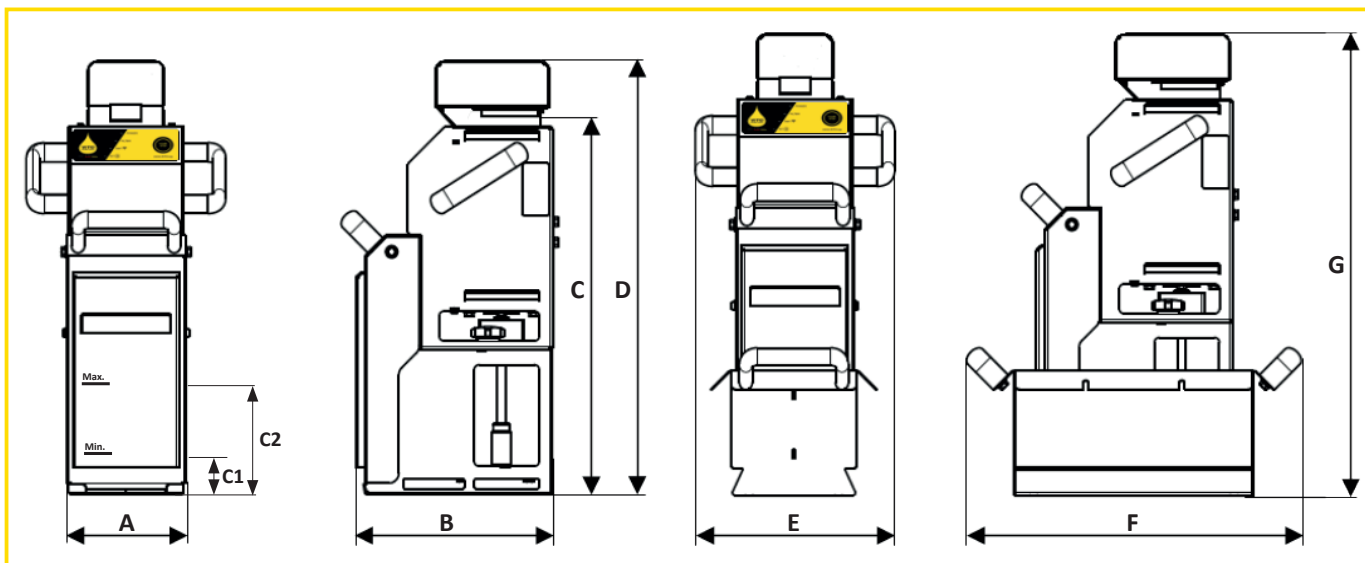
Functionality:

VITO VM battery cleans your oil cordlessly in an easy and hygienic way. VITO is placed in the hot oil and filters the oil from suspended particles and bitter substances without supervision. After the set time (standard 4,5 min) VITO stops automatically and your oil is ready to be used. VITO is integrated into the VITOconnect system environment. VITOconnect gives you an online overview of productivity, services and updates.



Features:

- ♣ For 1-3 deep fryers up to 20 l (light to medium sediment)
- ♣ Cordless pressure flow filtration
- ♣ Automatic filtration - VITO stops after the adjustable time
- ♣ Automatic shut-off - integrated tilt switch & heat protection
- ♣ At least 3 filtration cycles per battery charge, allowing use on multiple fryers
- ♣ VITO made out of stainless steel (1.4301) and other food safe materials
- ♣ Pump-filter unit and drip pan can be cleaned in dishwasher
- ♣ Network connection (WiFi)
- ♣ Acoustic and visual signals
- ♣ Scope of delivery: VITO VM battery, one interchangeable battery including charging station



VITO VM battery technical Data:

Width A	Depth B	Height C	Immersion depth Min C1	Immersion depth Max C2	Height D	Width E	Depth F	Height G
116 mm	191 mm	373 mm	30 mm	120 mm	420 mm	195 mm	324 mm	447 mm
Filtration power	Filtrations-efficiency	Particle capacity	Work cycle	Suction depth	Max. power	Battery	Fuse inside	Protection
up to 60 l/min	5 µm effective/ 20 µm nominal	1,3 kg* (1,7 l)	4,5 min (adjustable)	~35 cm	300 W	18V 5Ah	12 AT	Protective insulation
WiFi	Total weight	Weight	Temperature	Material	Charging station	Battery charging time		
2.4 GHz	8,6 kg (with drip pan)	7,4 kg (without drip pan)	max. 200 °C	Stainless steel 1.4301	100 - 240V 50 - 60Hz	up to 1 hour		

*regular bread crumbs

Extensions & Accessories:

- ♣ Access to <https://connect.vito.ag>
- ♣ Brackets to accommodate all fryer types
- ♣ Batteries
- ♣ Particle filters



VITO AG
P: +49 7461 96289-0
info@vito.ag / www.VITO.ag