

VITO XL

Spec sheet

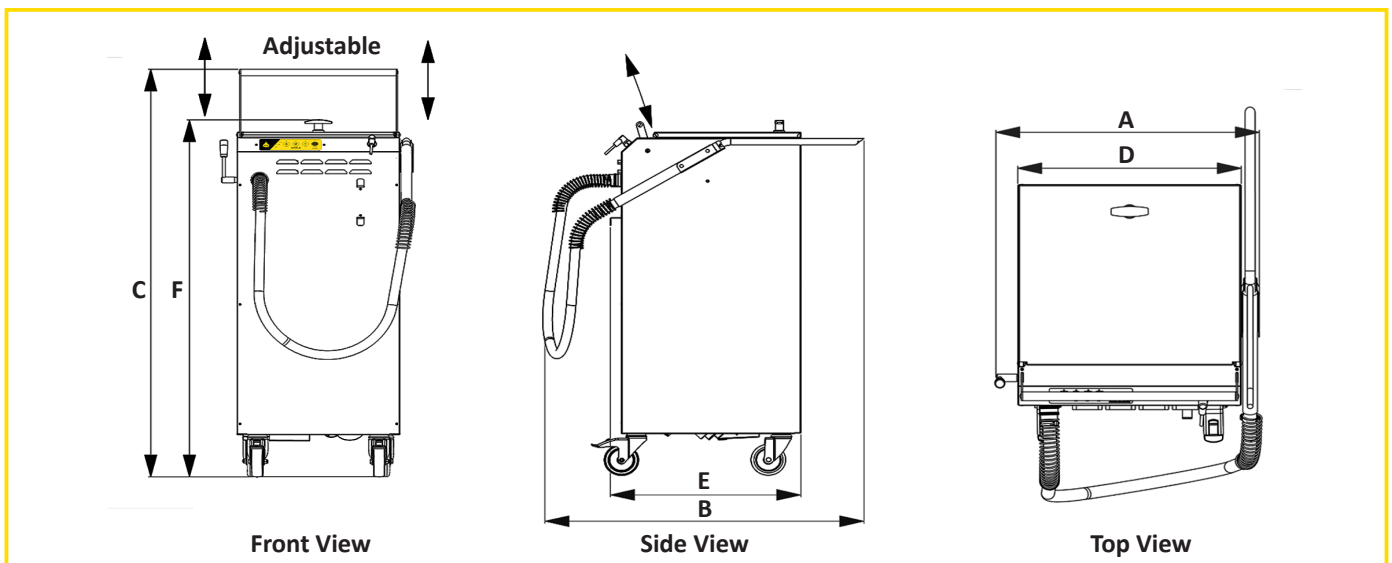


Functionality:

VITO XL cleans your oil in an easy and hygienic way. It extracts the oil out of your fryer, cleans it from particles and stores it inside its 120l tank. From there, it can be safely transported on flat floors. The oil can then either be pumped back into the deep fryer, or simply disposed. VITO is integrated into the VITOconnect system environment. VITOconnect gives you an online overview of productivity, services and updates.

Features:

- ♣ Operating temperature up to 200 °C
- ♣ Vacuum filtration
- ♣ Automatic off - VITO has built-in oillevel sensor
- ♣ Automatic safety off - filtration/return after 5min; warmer after 30min
- ♣ Integrated warmer (for solid fat additional system heater recommended)
- ♣ VITO made out of stainless steel (1.4301) and other food safe materials
- ♣ Hose can be removed by quick connector
- ♣ Filter basket is dishwasher-safe
- ♣ Adjustable height of the handle and lockable castors
- ♣ Network connection (WiFi)



VITO XL technical Data:

| | Width A | Depth B | Height C | | | Width D | Depth E | Height F |
|------------------|----------------------------------|-------------------|------------------------|---------------|------------|------------------------------|--------------|-----------------------|
| | 555 mm | 885 mm | 1334 mm | | | 470 mm | 552 mm | 1174 mm |
| Filtration power | Filtration efficiency | Particle capacity | Pumping power | Heating power | Max. power | Power connection | Fuses inside | Protection |
| up to 30 l/min | 5 µm effective/ 20 µm nominal | 10 l/10,7 kg* | 35 l/min | 110 W | 1200 W | 220 - 240 V, single phase | 4 AT & 8 AT | Protection Earth (PE) |
| Tank | Weight | Temperature | Material | WiFi | | | | |
| 120 l | 64 kg | max. 200 °C | Stainless steel 1.4301 | 2.4 GHz | | | | |

*regular bread crumbs

Accessories:

- ♣ Additional system heater for solid fat (130 W)
- ♣ Access to <https://connect.vito.ag>
- ♣ Various particle filters



VITO AG
P: +49 7461 96289-0
info@vito.ag / www.VITO.ag